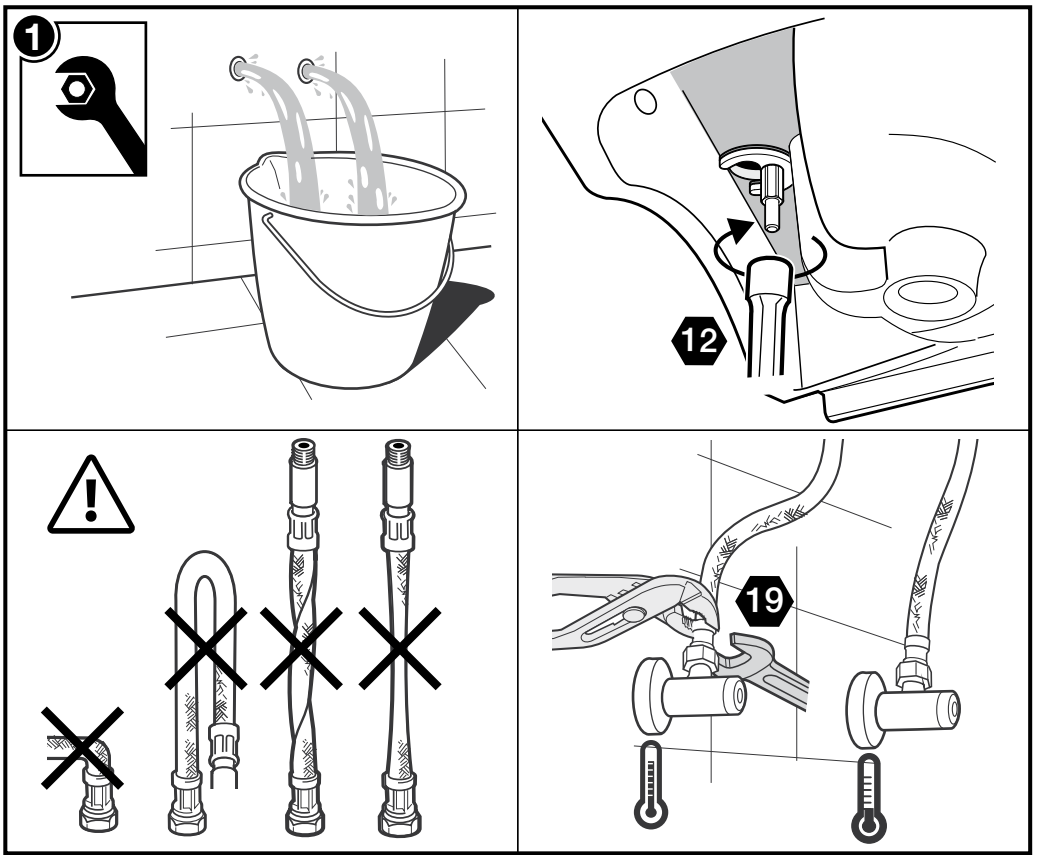


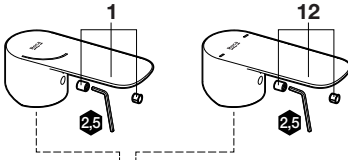
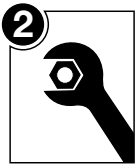
Roca

CALA





| | | | |
|--|------------------|--|--|
| | <p>P bar</p> | | |
| | <p>P bar</p> | | |
| | <p>°C</p> | | |
| | <p>l/min</p> | | |



A5A606E

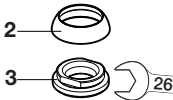
A5A616E

A5A626E

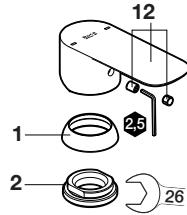
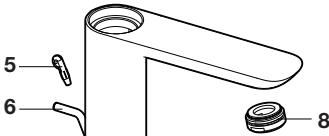
A5A306E

A5A316E

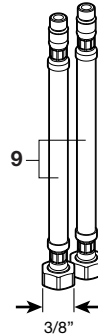
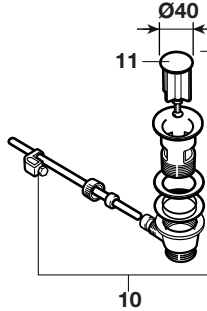
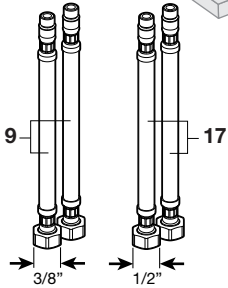
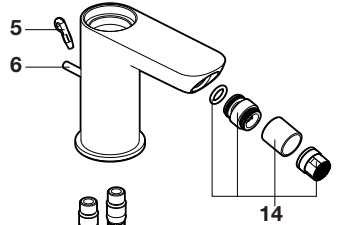
A5A326E



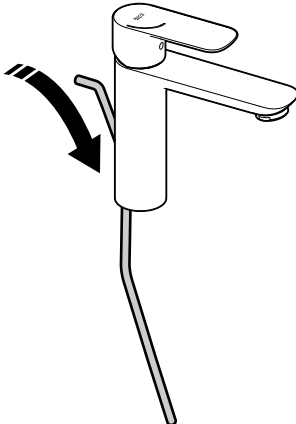
(COLD START) 4 13 (MIXED START)



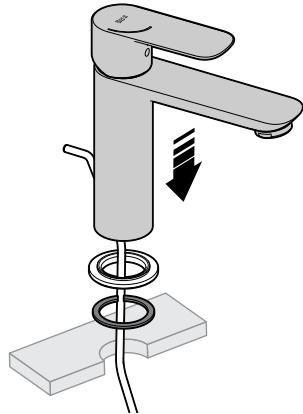
(MIXED START) 13



1



2

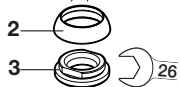
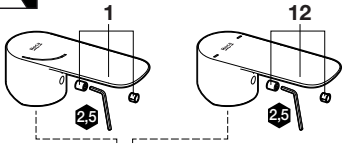


3

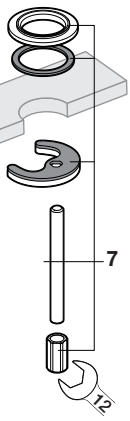
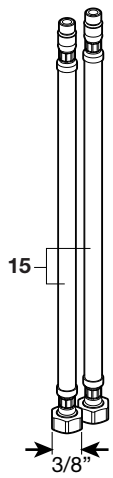
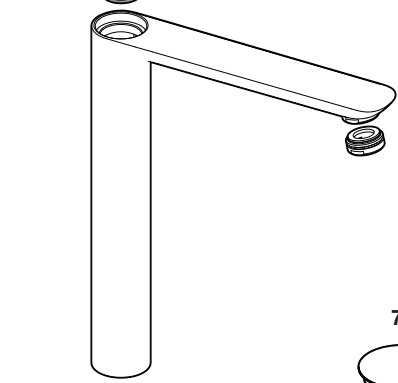


A5A3B6E

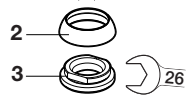
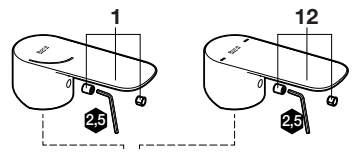
A5A346E



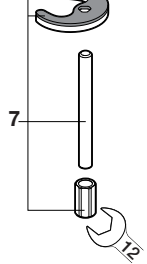
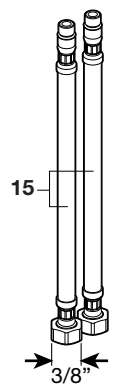
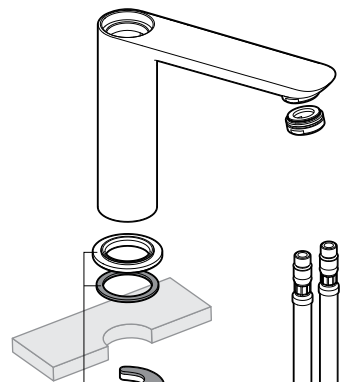
(COLD START) 4 13 (MIXED START)



A5A336E



(COLD START) 4 13 (MIXED START)

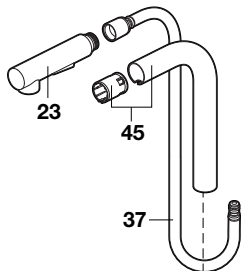
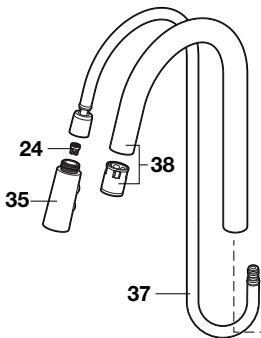


4

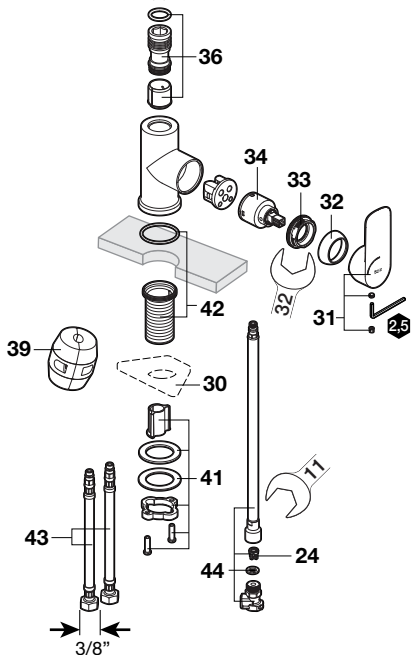
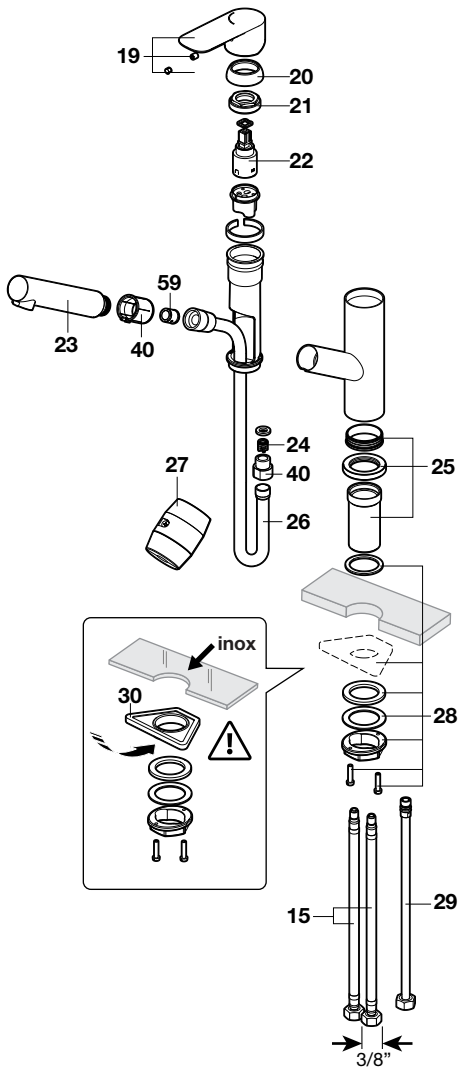


A5A816E

A5A856E



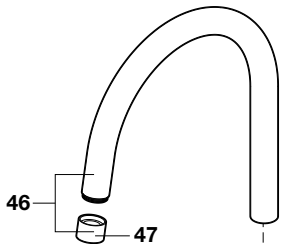
A5A806E



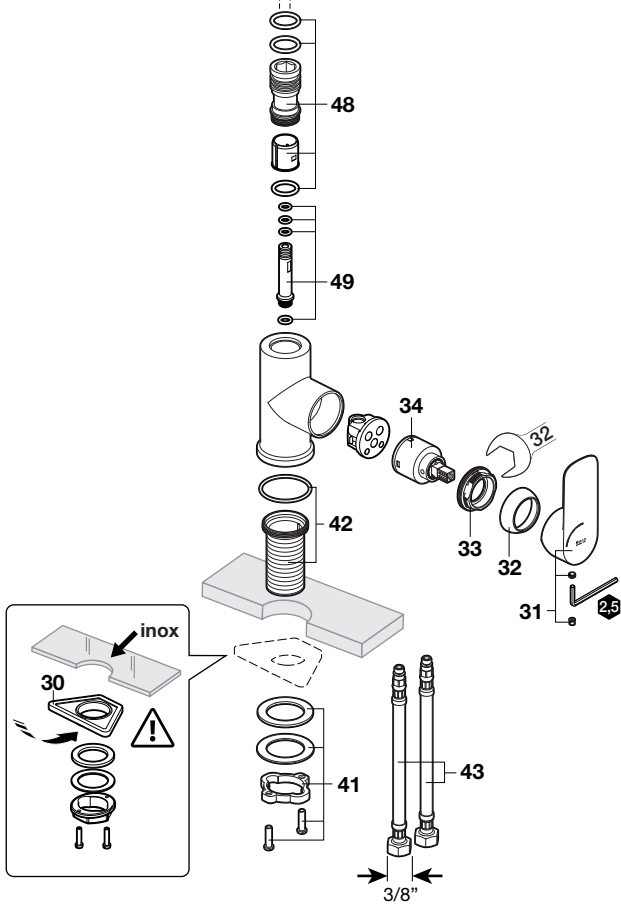
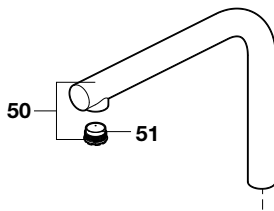
5



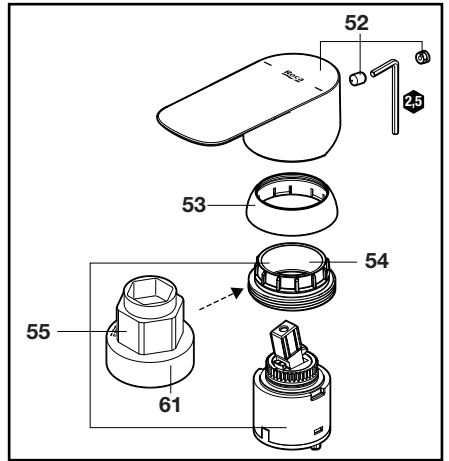
A5A846E



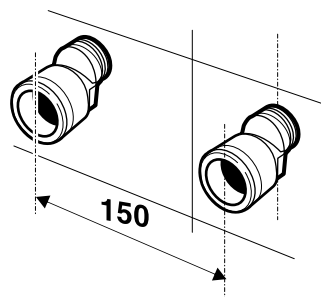
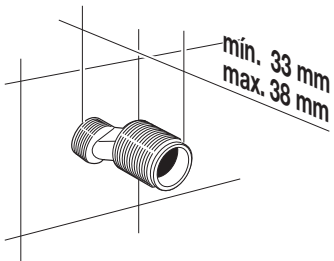
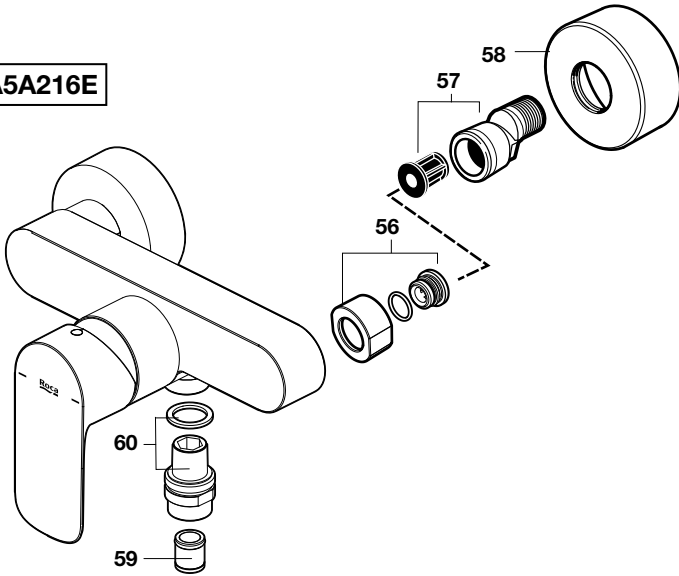
A5A836E



4



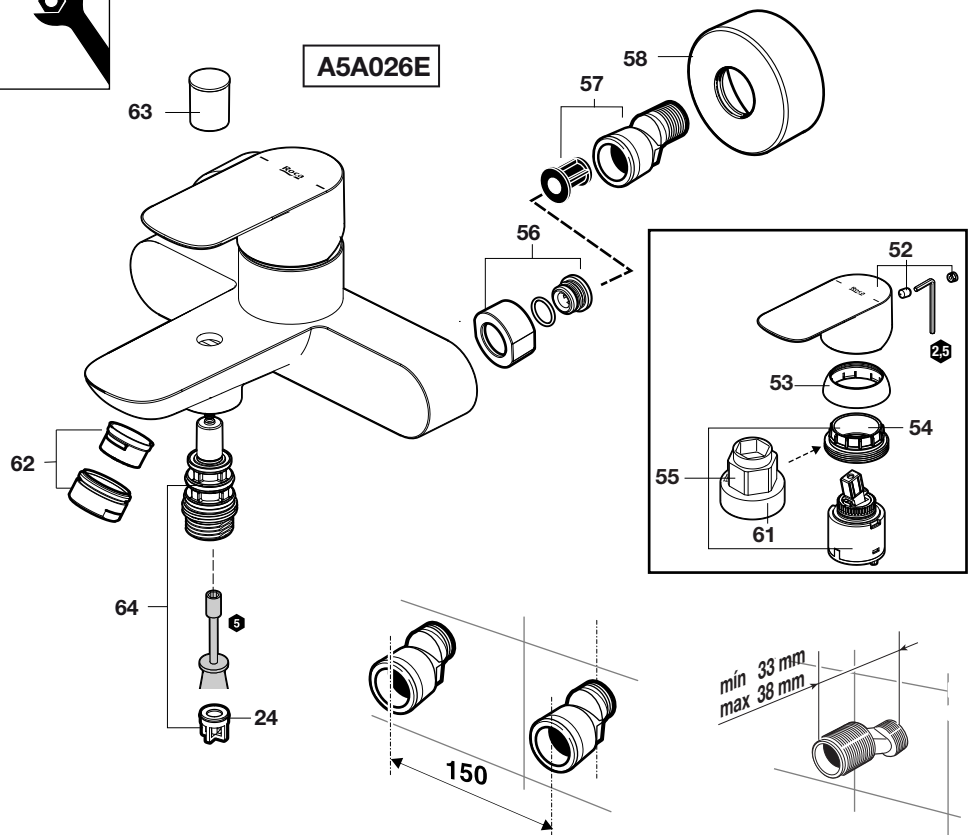
A5A216E



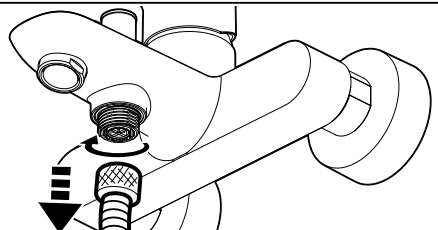
5



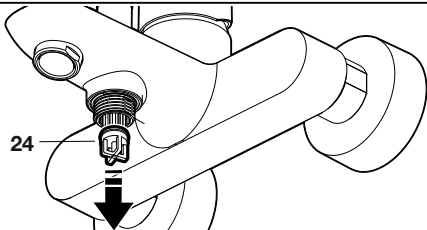
A5A026E



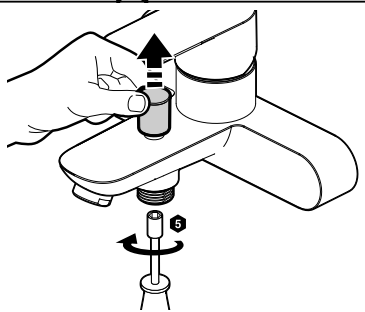
1



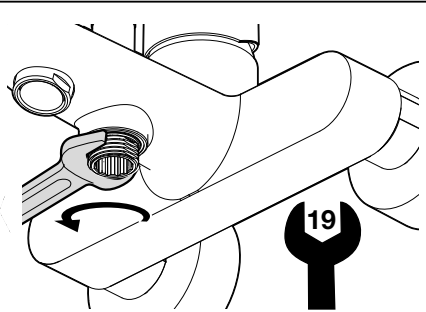
2

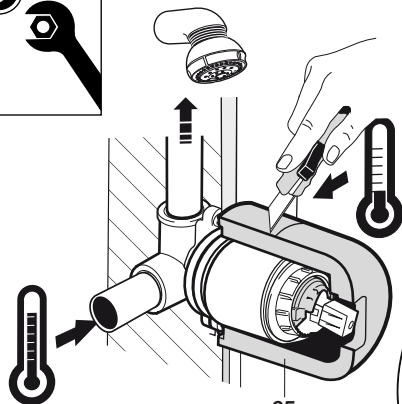


3

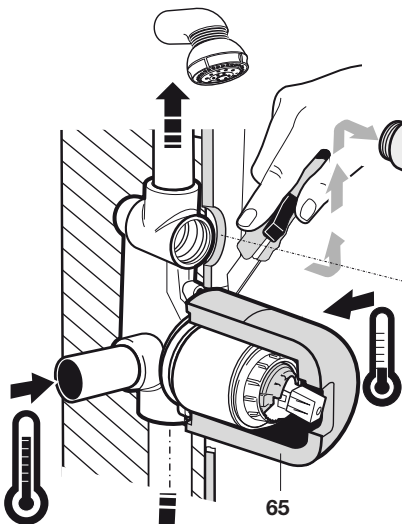
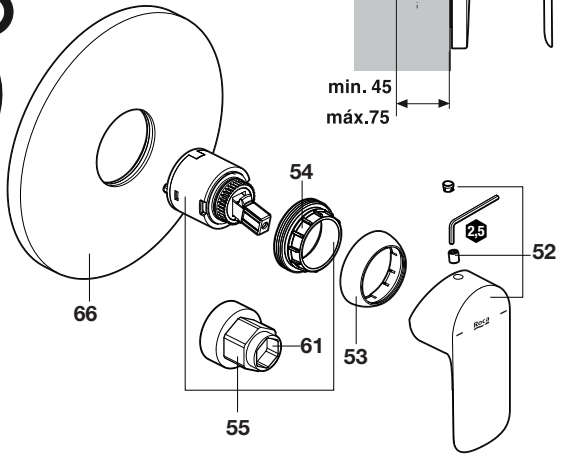


4

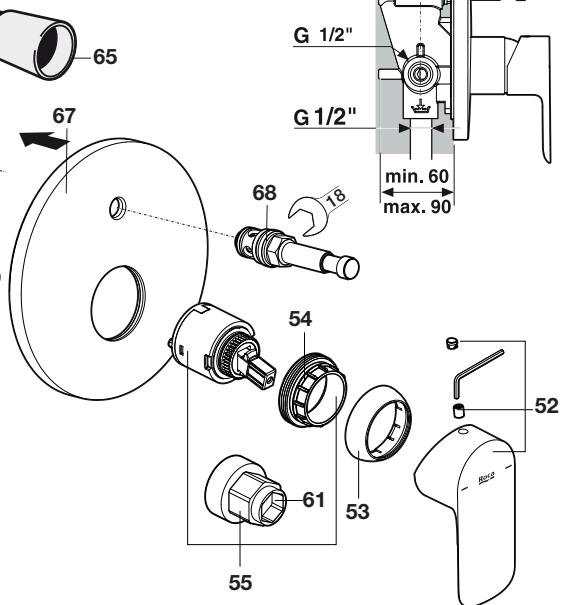




A5A226E

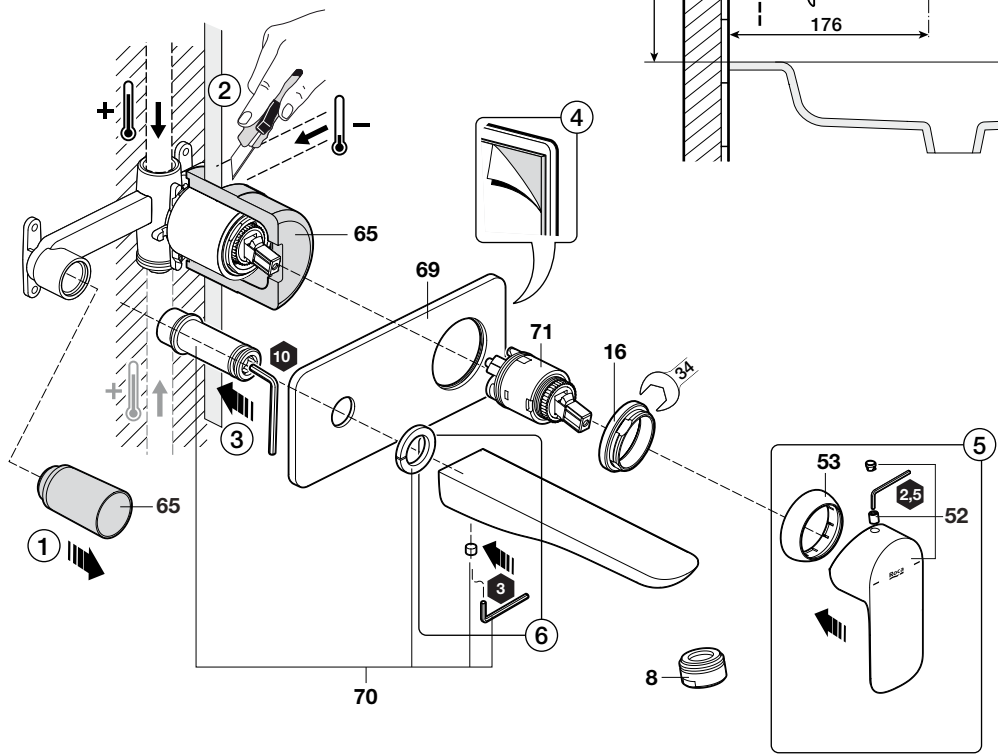
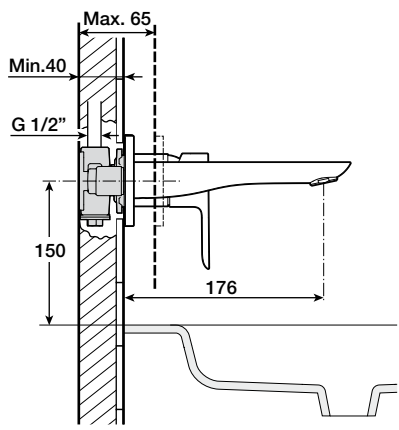


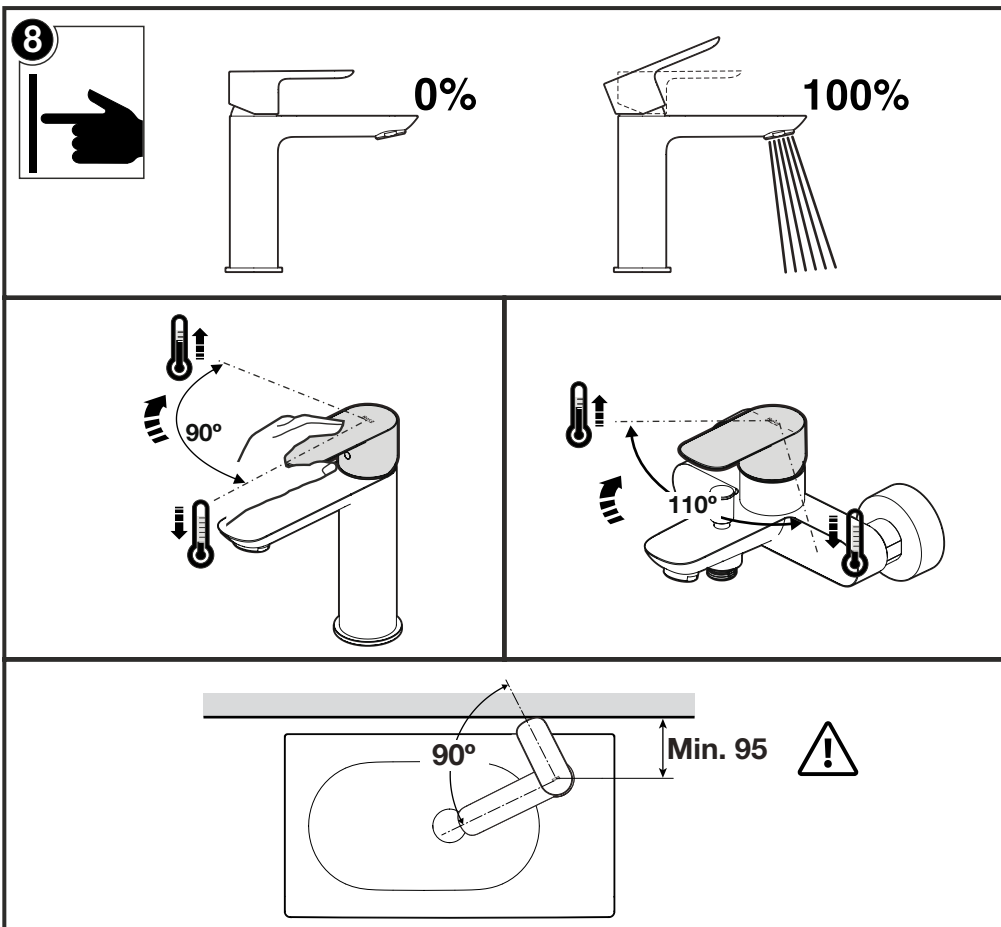
A5A066E





A5A356E + A525220603





| | | | |
|-----------------|-----------------------|-----------------------|-----------------|
| 1 - AG02230..R | 22 - AG0224100R | 43 - AG0119708R | 64 - AG0116500R |
| 2 - AG02231..R | 23 - AG0214500R | 44 - AG0225600R | 65 - AG0001907R |
| 3 - AG0222900R | 24 - AG0134907R 2 un. | 45 - AG0225700R | 66 - AG01195..R |
| 4 - AG0223200R | 25 - AG0224200R | 46 - AG0225800R | 67 - AG01196..R |
| 5 - A525094707 | 26 - AG0031700R | 47 - AG0225900R | 68 - A525006500 |
| 6 - AG0223300R | 27 - AG0224300R | 48 - AG0226000R | 68 - AG02186..R |
| 7 - AG0223400R | 28 - AG0031803R | 49 - AG0226100R | 69 - AG0142300R |
| 8 - AG0196400R | 29 - AG0224400R | 50 - AG0226200R | 70 - AG0155000R |
| 9 - A525020309 | 30 - AG0101207R | 51 - AG0226300R | 71 - AG0173300R |
| 10 - AG0075300R | 31 - AG0224500R | 52 - AG02264..R | 72 - A5054015.. |
| 11 - AG0096200R | 32 - AG0224600R | 53 - AG00853..R | |
| 12 - AG02235..R | 33 - AG0224700R | 54 - A525023507 | |
| 13 - AG0223600R | 34 - AG0213400R | 55 - AG0110607R | |
| 14 - AG00323..R | 35 - AG0224800R | 56 - AG02131..R | |
| 15 - AG0223700R | 36 - AG0224900R | 57 - AG0103908R 2 un. | |
| 16 - AG0142100R | 37 - AG0225000R | 58 - AG01168..R 2 un. | |
| 17 - AG0174608R | 38 - AG0225100R | 59 - A525005507 2 un. | |
| 18 - AG0223800R | 39 - AG0225200R | 60 - AG0036800R | |
| 19 - AG0223900R | 40 - AG0225300R | 61 - A525005407 | |
| 20 - AG0172300R | 41 - AG0225400R | 62 - AG02128..R | |
| 21 - AG0224000R | 42 - AG0225500R | 63 - AG01167..R | |

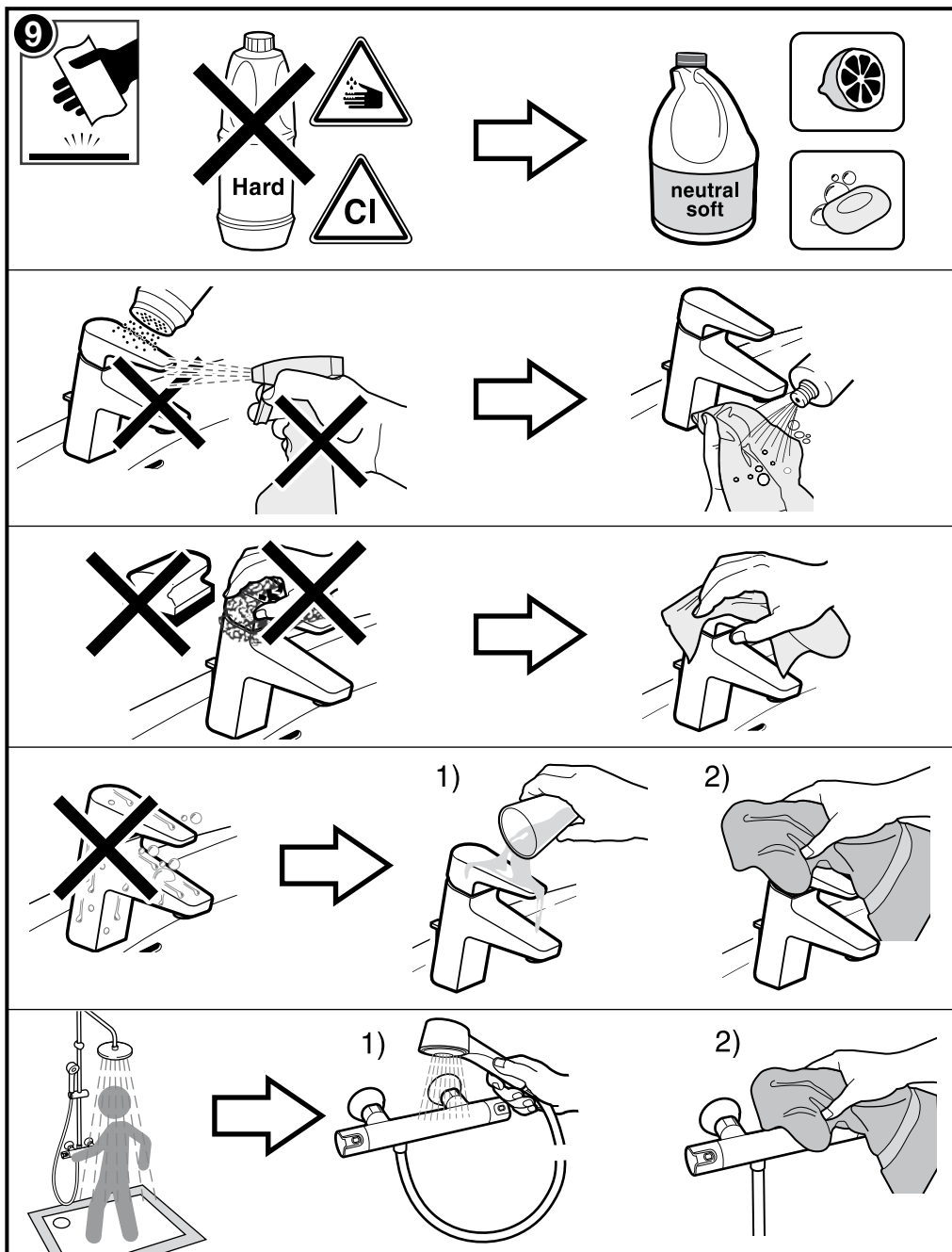
CÓDIGO / CODE

000000 .. 0

ACABADO / FINISH



www.roca.net



A553087507ak



Roca Sanitario, S.A.
 Avda. Diagonal, 513
 08029 Barcelona
 SPAIN
 www.roca.com

933 LÍNEA DE ATENCIÓN
661 AL CONSUMIDOR
266 ESPAÑA
 SERVICIO TÉCNICO
 ESPAÑA



productsupport.rs@roca.net
 soporteproducto.rs@roca.net